



KLINGER Monoball® one-piece ball valves

CE 0408
Conformity with Pressure
Equipment Directive 97/23/EC



KLINGER Monoball Fully welded end ball valves



High demands

Pre-insulated pipeline systems as used e. g. in district heating and waste water networks, are well known all over the world. This technology of embedding pipes becomes increasingly demanding in terms of valves.

District heating

Valves which are used in district heating pipeline networks must be completely resistant to pipeline forces like pressure, tear, residual stress, etc., tight in the port and against the atmosphere. Economical insulation of the valve must as well be provided for pre-insulated installation.

KLINGER Monoball

The new generation of one-piece KLINGER Monoball ball valves follows these demands without compromise.

In cooperation with the user and based on the experience of many years each constructional detail has been optimized. The one-piece body and the design of the connection piece made of

steel, make the KLINGER Monoball resistant to pipeline forces and residual stress. In this way the perfect function in the long run of these valves is guaranteed.

Advantages at a glance

- Always safe in service and reliably tight
- Maintenance-free
- Application limit at PN 40 resp. PN 25 and temperatures till 200 °C
- Ball and spindle made of stainless steel
- A particularly shaped sealing ring achieves double sealing at the ball
- No creeping in of the medium under pressure
- Spindle sealing with O-rings made of high quality Elastomer
- A burst-proof and blow-off safe mounted spindle, placed in a PTFE+C-bush
- If necessary, the upper O-rings can be changed
- Selfinhibitive through specially placed spring washer
- Operating position of the ball can still be identified even when lever is removed
- CE-marking
- Type test acc. to EN 488

Monoball: one-piece, universal reliable, maintenance-free

KLINGER Monoball product range

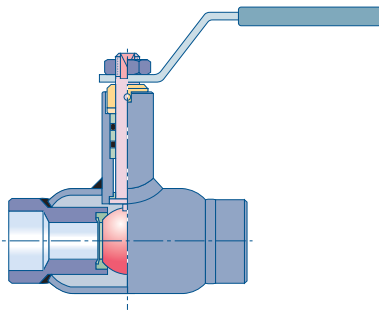
One-piece ball valve with reduced port
Steel, PN 40 / PN 25

Type	DN	PN	Connection
KHM-OE	15-50	40	Thread G 1/2" -G 2"
KHM-OE	65-80	25	Thread G 2 1/2" -G 3"
KHMS-OE	15-50	40	Weld end / thread
KHMS-OE	65-80	25	Weld end / thread
KHS-OE	15-50	40	Weld end
KHS-OE	65-300	25	Weld end
KHFS-OE	15-50	40	Flange/ weld end
KHFS-OE	65-150	25	Flange/ weld end
KHF-OE	15-50	40	Flange
KHF-OE	65-300	25	Flange
KHSU-OE short	25-150	40	Weld end
KHSU-OE	25-100	40	Weld end
KHSU-OE short	200-300	25	Weld end

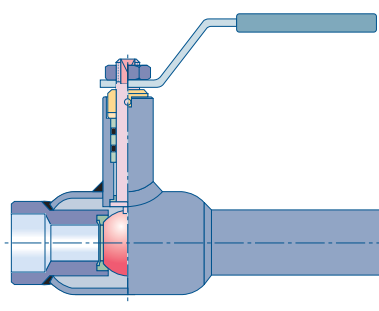
Abbreviations:

KH = ball valve
M = thread
S = weld end
F = flange
U = underground

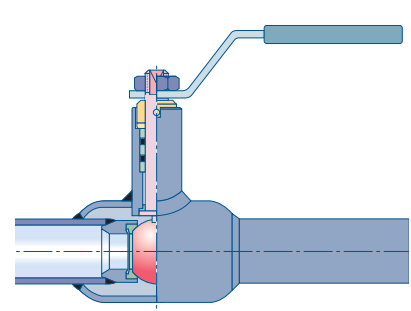
Design acc. to KLINGER material code VIII



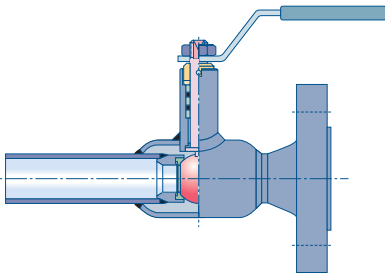
KHM-OE



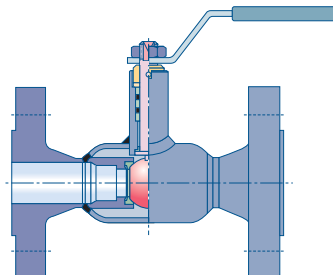
KHMS-OE



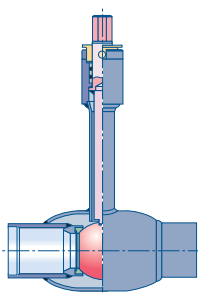
KHS-OE



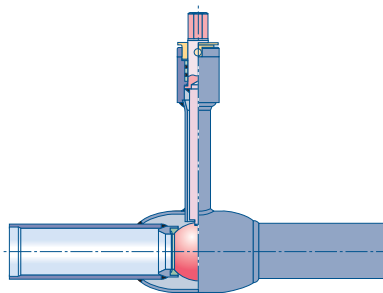
KHFS-OE



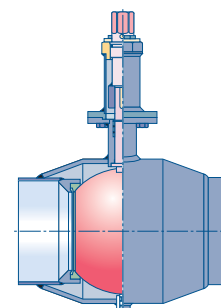
KHF-OE



KHSU-OE short



KHSU-OE



KHSU-OE short



KLINGER Monoball sealing system competitively tight

The sealing system

Two sealing lips touching the ball provide double tightness. This is possible because of the particular shape of the PTFE-sealing ring. With the ball pressing the sealing ring into the holding device, the medium is stopped from creeping in.

O-rings made from high quality Elastomer provide the seal for the spindle. This material is highly thermal resistant and is recommended for cold and hot water.

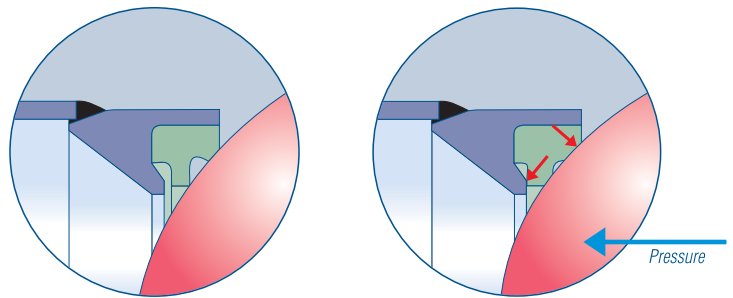
PTFE-bushes which are used for spindle bearings ensure an easy going operation. Because the spindle is installed from the inside of the valve body it is burst-proof and blow-off safe.

The operating angle of the spindle is limited to 90° by means of a stop bar and is independent from the lever. The operating position of the ball can still be identified by the position of the upper end of the spindle, even when the lever is removed.

KV and ξ values for KLINGER ball valves KHSU-OE

DN	KV	ξ value
15/10	8	1.3
20/15	13	1.5
25/20	25	1.0
32/25	41	1.0
40/32	65	1.0
50/40	100	1.0
65/50	180	0.9
80/65	270	0.9
100/80	420	0.9
125/100	650	0.9
150/125	950	0.9
200/150	1700	0.9
250/200	2600	0.9
300/250	4500	0.6

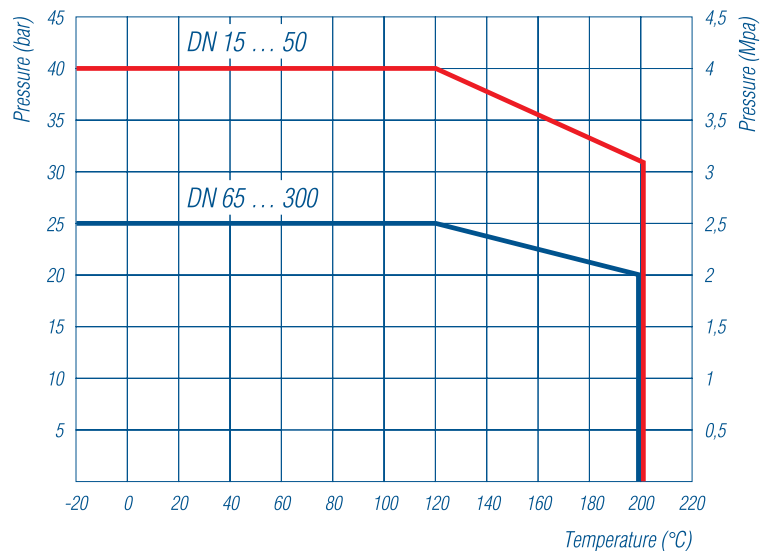
KLINGER Monoball sealing system



unloaded

under pressure

Pressure-temperature diagram



KV-value:

The KV-value indicates the amount of water in m³ that passes through the valve within one hour, at a temperature between 5 °C and 30 °C and a loss of pressure of 1 bar.

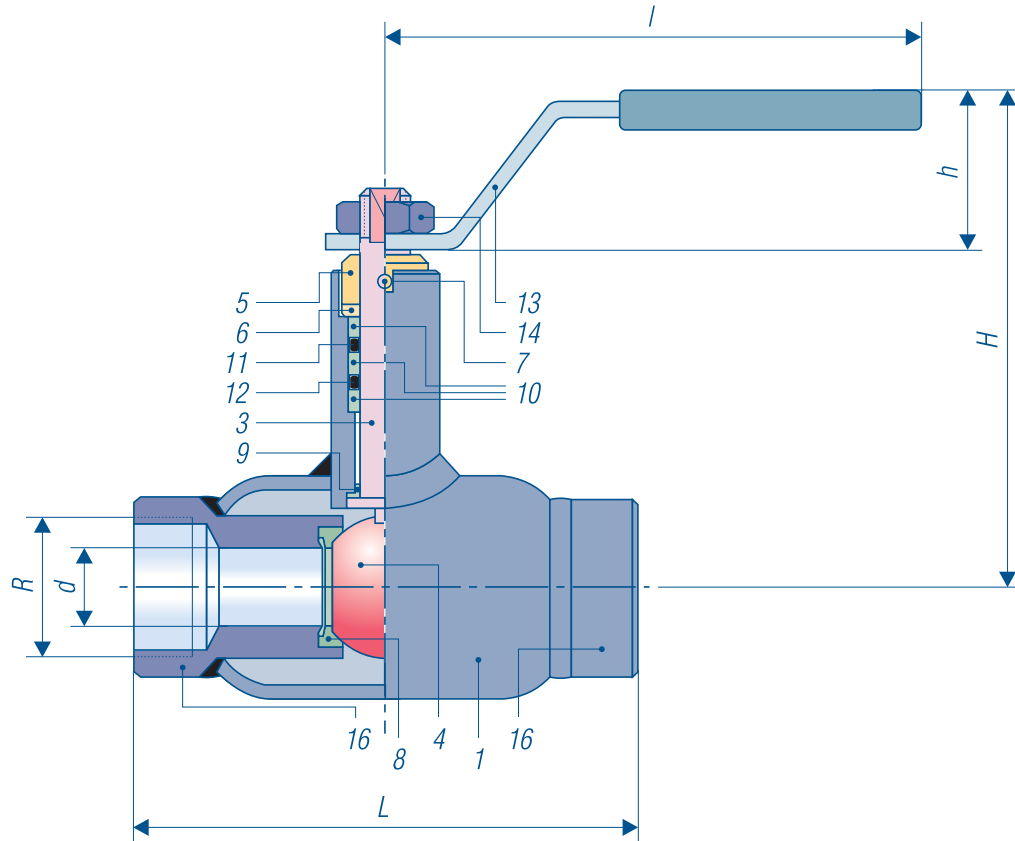
Medium: water-density 1000 kg/m³

Zeta-value ξ :

The Zeta-value of each valve has been determined by the producer through conducting various tests.

Ball valve KLINGER Monoball KHM-OE

One-piece ball valve with thread, reduced port thread connection on both sides acc. to ISO 228/1, PN 25, PN 40
Material: steel, temperature range: - 20 °C to 200 °C



**KHM-OE
15 – 80**

PN 25

Material code number VIII

PN 40

Material code number VIII

No.	Part names	Material	No.	Part names	Material
1	Body	1.0254	9	Bearing ring	PTFE+C
3	Spindle	1.4305	10	Spindle bush	PTFE
4	Ball	1.4301	11	O-ring	FPM
5	Retaining bush	1.0711	12	O-ring	EPDM
6	Spring washer	HRC 44-51	13	Lever	St
7	Bolt	1.0718	14	Hexagon nut	8 Zn
8	Ball sealing	PTFE+C	16	Thread	St 37.0

Monoball ball valve PN 25 and PN 40

One-piece, with reduced port, maintenance-free spindle sealing with O-rings, pressure possible from both sides, ball sealing PTFE+C with two sealing lips, ball and spindle made of stainless steel, body made of steel
Make: KLINGER
Type: KHM-OE for DN 15-80

Overall dimensions in mm

DN	R	PN	Kv ₁₀₀	d	L	H	h	l	Weight kg
15	G 1/2"	40	8	10	85	91	30	110	0,6
20	G 3/4"	40	13	15	100	95	30	110	0,7
25	G 1"	40	25	20	110	115	36	140	0,9
32	G 1 1/4"	40	41	24	130	119	36	140	1,3
40	G 1 1/2"	40	65	31	140	145	47	180	2,0
50	G 2"	40	100	39	170	151	47	180	2,5
65	G 2 1/2"	25	180	50	200	169	50	250	5,8
80	G 3"	25	270	65	230	180	50	250	7,2

Ordering example:

KHM-OE 32-VIII, PN 40
KHM-OE 65-VIII, PN 25

Operating torques see page 13

Pressure-temperature diagram see page 4



Ball valve KLINGER Monoball KHMS-OE

One-piece ball valve with thread and weld end, reduced port, thread connection acc. to ISO 228/1, weld end acc. to EN 12627, PN 25, PN 40
Material: steel, temperature range: -20 °C to 200 °C

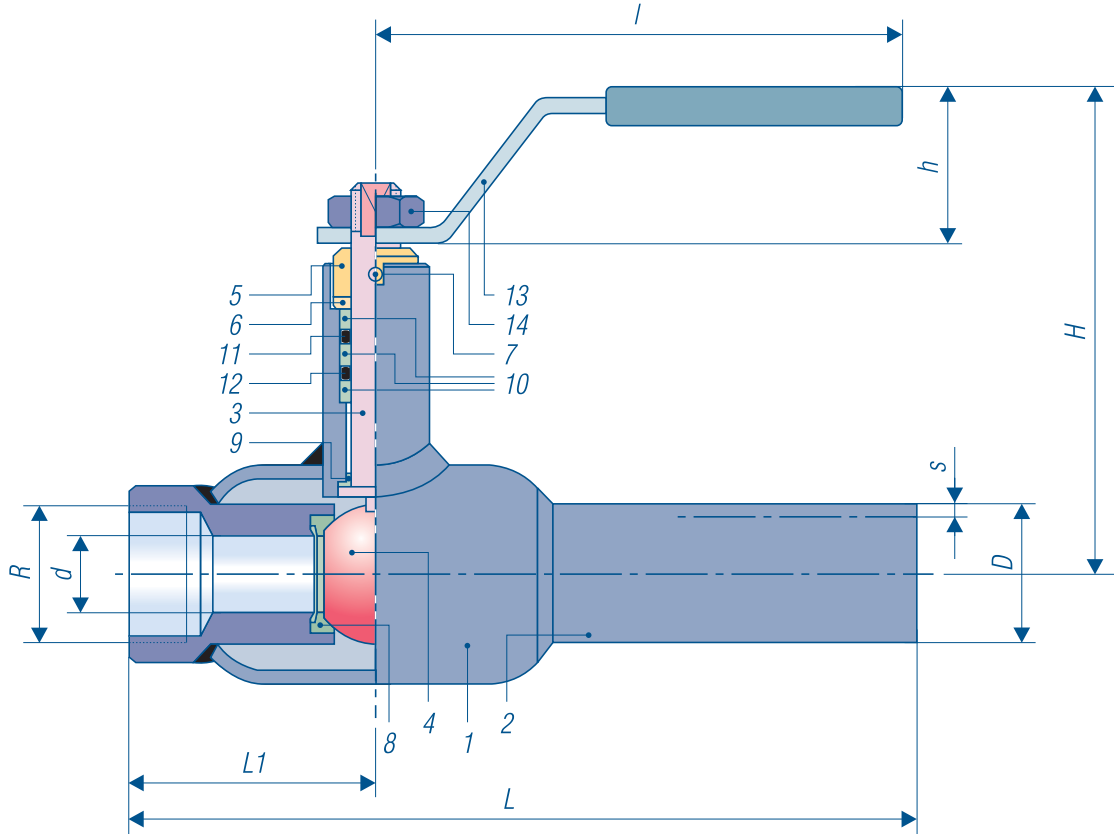
KHMS-OE
15 – 80

PN 25

Material code number VIII

PN 40

Material code number VIII



Monoball ball valve PN 25 and PN 40

One-piece, with reduced port, maintenance-free spindle sealing with O-rings, pressure possible from both sides, ball sealing PTFE+C with two sealing lips, ball and spindle made of stainless steel, body made of steel, Make: KLINGER

Type: KHMS-OE for DN 15–80

Ordering example:
KHMS-OE 32-VIII, PN 40
KHMS-OE 65-VIII, PN 25

Operating torques see page 13

Pressure-temperature diagram see page 4

No.	Part name	Material
1	Body	1.0254
2	Connecting pipe	1.0254
3	Spindle	1.4305
4	Ball	1.4301
5	Retaining bush	1.0711
6	Spring washer	HRC 44–51
7	Bolt	1.0718

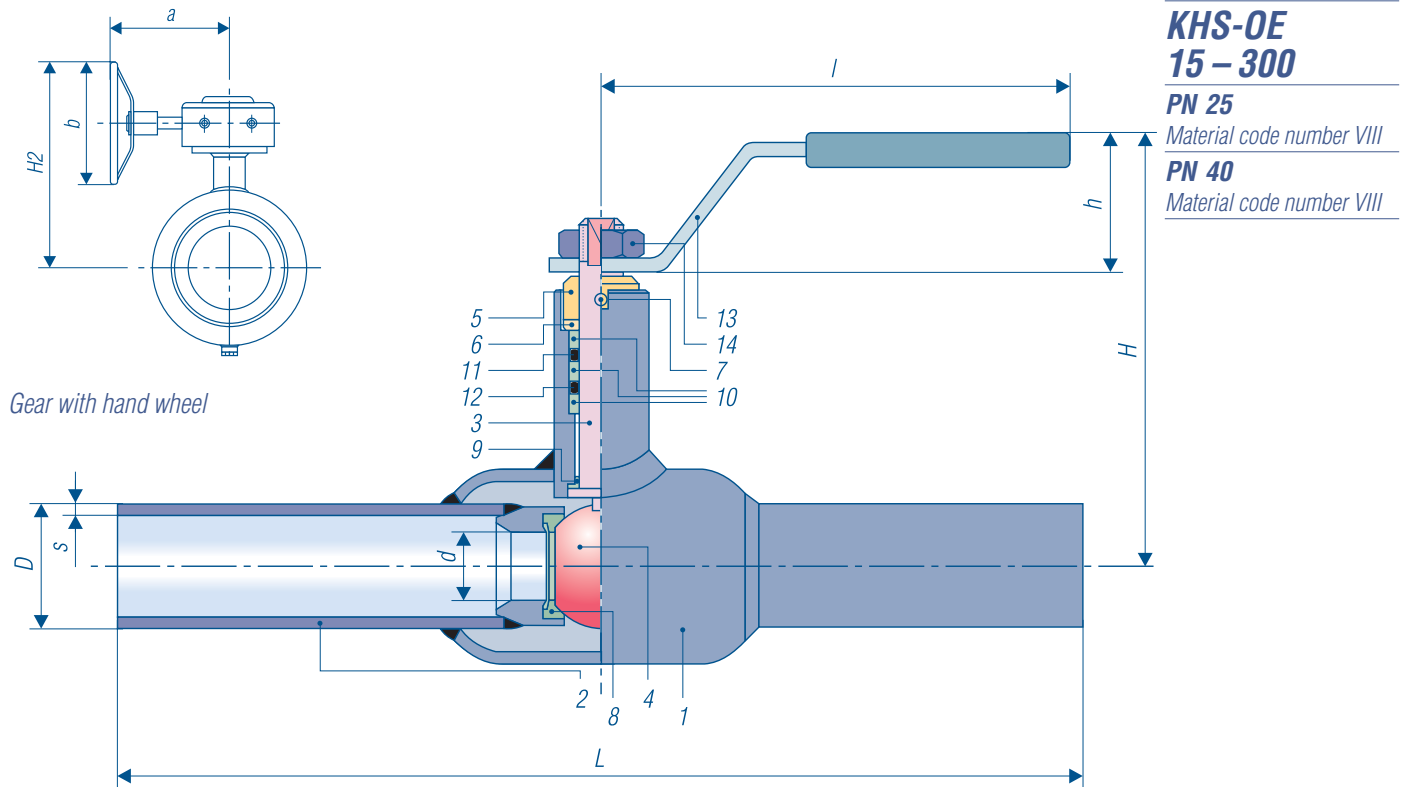
No.	Part name	Material
8	Ball sealing	PTFE+C
9	Bearing ring	PTFE+C
10	Spindle bush	PTFE
11	O-ring	FPM
12	O-ring	EPDM
13	Lever	St
14	Hexagon nut	8 Zn

Overall dimensions in mm

DN	R	PN	Kv ₁₀₀	d	D	s	L	L1	H	h	l	Weight kg
15	G 1/2"	40	8	10	21,3	2,0	157	42	91	30	110	0,6
20	G 3/4"	40	13	15	26,9	2,3	167	52	95	30	110	0,7
25	G 1"	40	25	20	33,7	2,6	170	55	115	36	140	1,0
32	G 1 1/4"	40	41	24	42,4	2,6	195	65	119	36	140	1,4
40	G 1 1/2"	40	65	31	48,3	2,9	200	70	145	47	180	2,1
50	G 2"	40	100	39	60,3	2,9	235	85	151	47	180	2,7
65	G 2 1/2"	25	180	50	76,1	2,9	250	100	169	50	250	4,9
80	G 3"	25	270	65	88,9	3,2	265	115	180	50	250	6,7

Ball valve KLINGER Monoball KHS-OE

One-piece ball valve with weld ends, reduced port
 weld ends on both sides acc. to EN 12627, PN 25, PN 40
 Material: steel, temperature range: - 20 °C to 200 °C



**KHS-OE
15 – 300**

PN 25

Material code number VIII

PN 40

Material code number VIII

No.	Part names	Material
1	Body	1.0254
2	Connecting pipe	1.0254
3	Spindle	1.4305
4	Ball	1.4301
5	Retaining bush	1.0711

No.	Part names	Material
6	Spring washer	HRC 44–51
7	Bolt	1.0718
8	Ball sealing	PTFE+C
9	Bearing ring	PTFE+C
10	Spindle bush	PTFE

No.	Part names	Material
11	O-ring	FPM
12	O-ring	EPDM
13	Lever	St *) GRP **)
14	Hexagon nut	8 Zn

*) DN 15/10 – 80/65

**) DN 100/80 – 150/125

Overall dimensions in mm

DN	PN	Kv ₁₀₀	d	D	s	L	H	h	l	a	b	H2	Flange ISO5211	Weight kg
15	40	8	10	21,3	2,0	230	91	30	110	–	–	–		0,6
20	40	13	15	26,9	2,3	230	95	30	110	–	–	–		0,8
25	40	25	20	33,7	2,6	230	115	36	140	–	–	–		1,1
32	40	41	24	42,4	2,6	260	119	36	140	–	–	–		1,5
40	40	65	31	48,3	2,9	260	145	47	180	–	–	–		1,9
50	40	100	39	60,3	2,9	300	151	47	180	–	–	–		2,4
65	25	180	50	76,1	2,9	300	169	50	250	–	–	–		5,0
80	25	270	65	88,9	3,2	300	180	50	250	–	–	–		6,0
100	25	420	80	114,3	3,6	325	218	55	320	–	–	–		11,0
125	25	650	100	139,7	4,0	325	233	55	320	–	–	–		15
150	25	950	125	168,3	4,5	350	297	56	600	–	–	–		27
150	25	950	125	168,3	4,5	350	–	–	–	247	305	425	F12	38 ¹⁾
200	25	1700	150	219,1	6,3	400	–	–	–	247	305	445	F12	48 ¹⁾
250	25	2600	200	273,0	6,3	530	–	–	–	264	305	493	F14	90 ¹⁾
300	25	4500	250	323,9	7,1	550	–	–	–	362	457	609	F16	168 ¹⁾

1) with gear and hand wheel

Monoball ball valve PN 25 or PN 40

One-piece, with reduced port, maintenance-free spindle sealing with O-rings, pressure possible from both sides, ball sealing PTFE+C with two sealing lips, ball and spindle made of stainless steel, body made of steel.

Make: KLINGER

Type: KHS-OE for DN 15–300

Ordering example:

KHS-OE 50-VIII, PN 40

KHS-OE 150-VIII, PN 25

Operating torques see page 13

Pressure-temperature diagram see page 4



Ball valve KLINGER Monoball KHFS-OE

One-piece ball valve, reduced port
weld ends acc. to EN 12627 / Flange acc. to DIN 2635 (EN 1092-1)

PN 25, PN 40

Material: steel, temperature range: - 20 °C to 200 °C

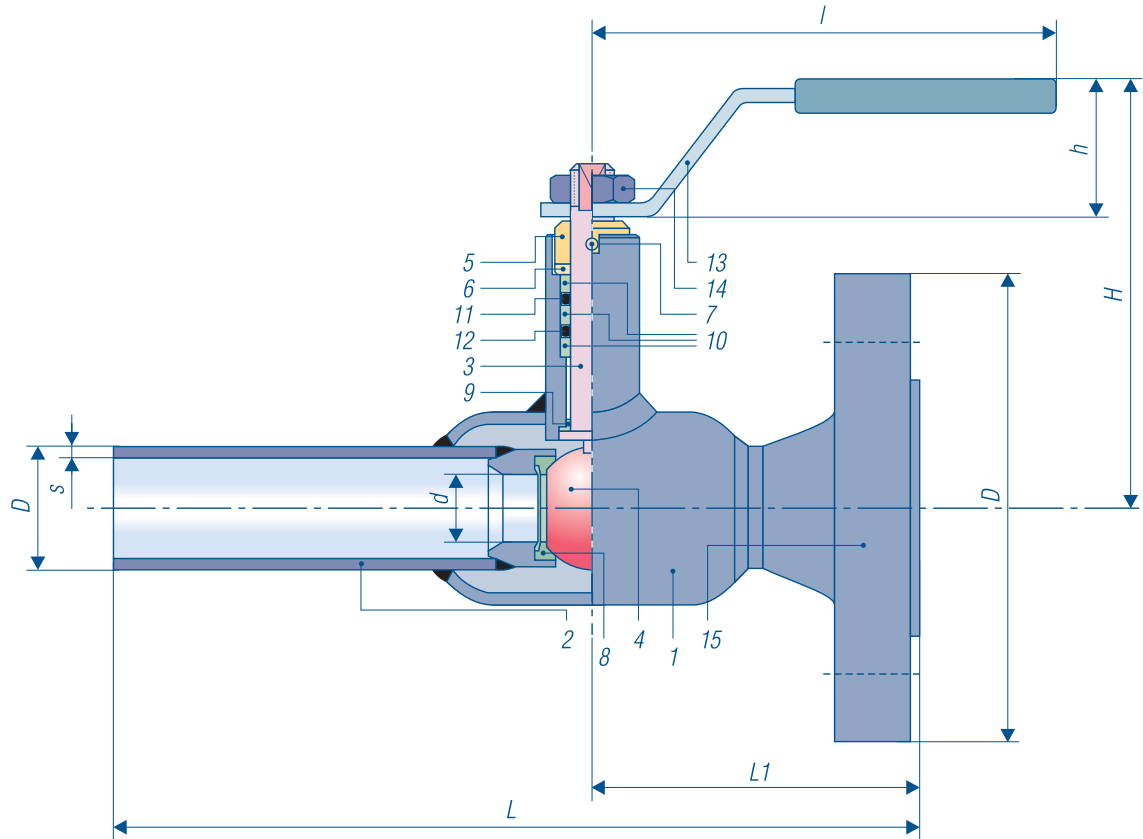
KHFS-OE
15 – 150

PN 25

Material code number VIII

PN 40

Material code number VIII



No.	Part names	Material
1	Body	1.0254
2	Connecting pipe	1.0254
3	Spindle	1.4305
4	Ball	1.4301
5	Retaining bush	1.0711

No.	Part names	Material
6	Spring washer	HRC 44–51
7	Bolt	1.0718
8	Ball sealing	PTFE+C
9	Bearing	PTFE+C
10	Spindle bush	PTFE

No.	Part names	Material
11	O-ring	FPM
12	O-ring	EPDM
13	Lever	St
14	Hexagon nut	8 Zn
15	Flange	St

Monoball ball valve PN 25 or PN 40

One-piece, with reduced port, maintenance-free spindle sealing with O-rings, pressure possible from both sides, ball sealing PTFE+C with two sealing lips, ball and spindle made of stainless steel body made of steel.

Make: KLINGER

Type: KHFS-OE for DN 15–150

Ordering example:

KHFS-OE 50-VIII, PN 40

KHFS-OE 100-VIII, PN 25

Operating torques see page 13

Pressure-temperature diagram see page 4

Overall dimensions in mm

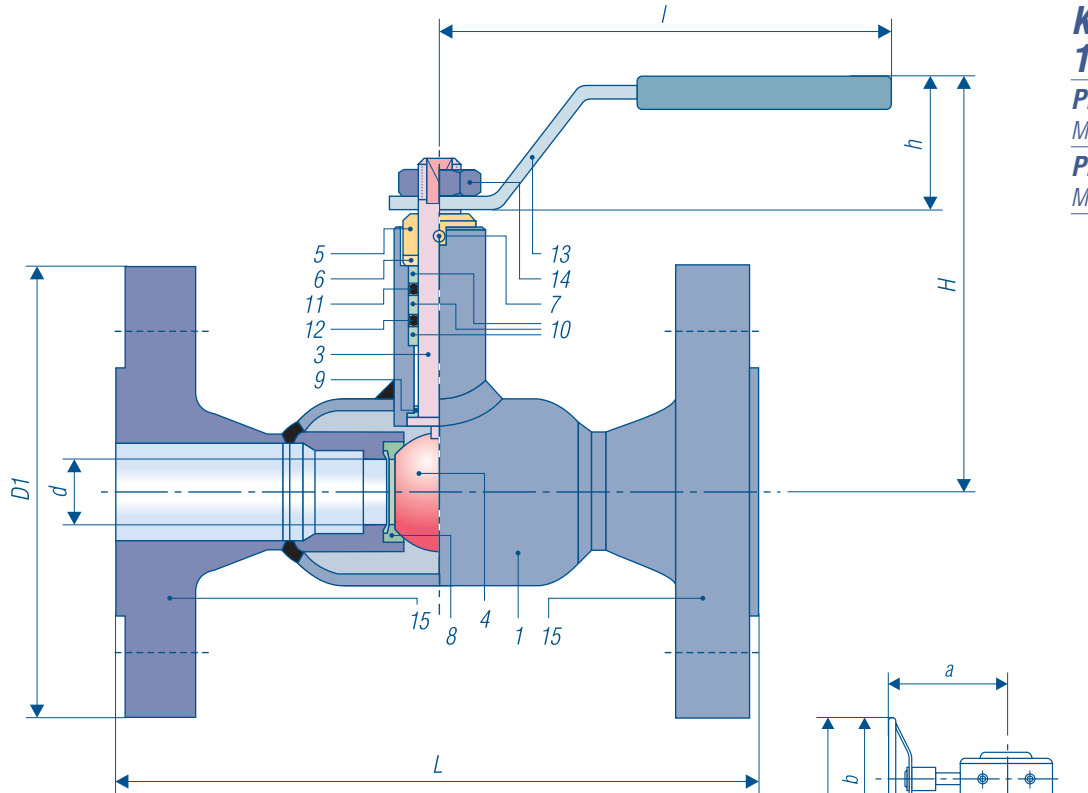
DN	PN	Kv ₁₀₀	d	D1	D	s	L	L1	H	h	l	Weight kg
15	40	8	10	95	21,3	2,0	180	65	91	30	110	1,3
20	40	13	15	105	26,9	2,3	190	75	95	30	110	1,7
25	40	25	20	115	33,7	2,6	195	80	115	36	140	2,1
32	40	41	24	140	42,4	2,6	220	90	119	36	140	3,2
40	40	65	31	150	48,3	2,9	230	100	145	47	180	4,0
50	40	100	39	165	60,3	2,9	265	115	151	47	180	5,4
65	25	180	50	185	76,1	2,9	285	135	169	50	250	7,4
80	25	270	65	200	88,9	3,2	290	140	180	50	250	9,1
100	25	420	80	220	114,3	3,6	312	150	218	55	320	15,7
125	25	650	100	250	139,7	4,0	325	162	233	55	320	21
150	25	950	125	285	168,3	4,5	350	175	297	56	400	35

Ball valve KLINGER Monoball KHF-OE

One-piece ball valve with flange, reduced port
flange on both sides acc. to DIN 2635 (EN 1092-1)

PN 25, PN 40

Material: steel, temperature range: - 20 °C to 200 °C



KHF-OE
15 – 300

PN 25

Material code number VIII

PN 40

Material code number VIII

No.	Part names	Material
1	Body	1.0254
3	Spindle	1.4305
4	Ball	1.4301
5	Retaining bush	1.0711
6	Spring washer	HRC 44-51
7	Bolt	1.0718
8	Ball sealing	PTFE+C
9	Bearing ring	PTFE+C

No.	Part names	Material
10	Spindle bush	PTFE
11	O-ring	FPM
12	O-ring	EPDM
13	Lever	St *) GRP **)
14	Hexagon nut	8 Zn
15	Flange	St

*) DN 15 – 80

**) DN 100 – 150

Gear with hand wheel

Overall dimensions in mm

DN	PN	Kv ₁₀₀	d	D1	L	H	h	l	a	b	H2	flange ISO5211	Weight kg
15	40	8	10	95	130	91	30	110	-	-	-		2,0
20	40	13	15	105	150	95	30	110	-	-	-		2,6
25	40	25	20	115	160	115	36	140	-	-	-		3,2
32	40	41	24	140	180	119	36	140	-	-	-		4,9
40	40	65	31	150	200	145	47	180	-	-	-		5,8
50	40	100	39	165	230	151	47	180	-	-	-		7,5
65	25	180	50	185	270	169	50	250	-	-	-		10,2
80	25	270	65	200	280	180	50	250	-	-	-		13,3
100	25	420	80	220	300	218	55	320	-	-	-		19
125	25	650	100	250	325	233	55	320	-	-	-		27
150	25	950	125	285	350	297	56	600	-	-	-		42
150	25	950	125	285	350	-	-	-	247	305	425	F12	53 ¹⁾
200	25	1700	150	340	400	-	-	-	247	305	445	F12	66 ¹⁾
250	25	2600	200	405	533	-	-	-	264	305	493	F14	116 ¹⁾
300	25	4500	250	460	610	-	-	-	362	457	609	F16	

1) with gear and hand wheel

Monoball ball valve PN 25 or PN 40

One-piece, with reduced port, maintenance-free spindle sealing with O-rings pressure possible from both sides, ball sealing PTFE+C with two sealing lips, ball and spindle made of stainless steel, body made of steel

Make: KLINGER

Type: KHF-OE for DN 15-300

Ordering example:

KHF-OE 50-VIII, PN 40

KHF-OE 150-VIII, PN 25

Operating torques see page 13

Pressure-temperature diagram see page 4



Ball valve KLINGER Monoball KHSU-OE

One-piece ball valves with extended spindle, reduced port weld end on both sides acc. to EN 12627, PN 25, PN 40
material: steel, temperature range: -20 °C to 200 °C

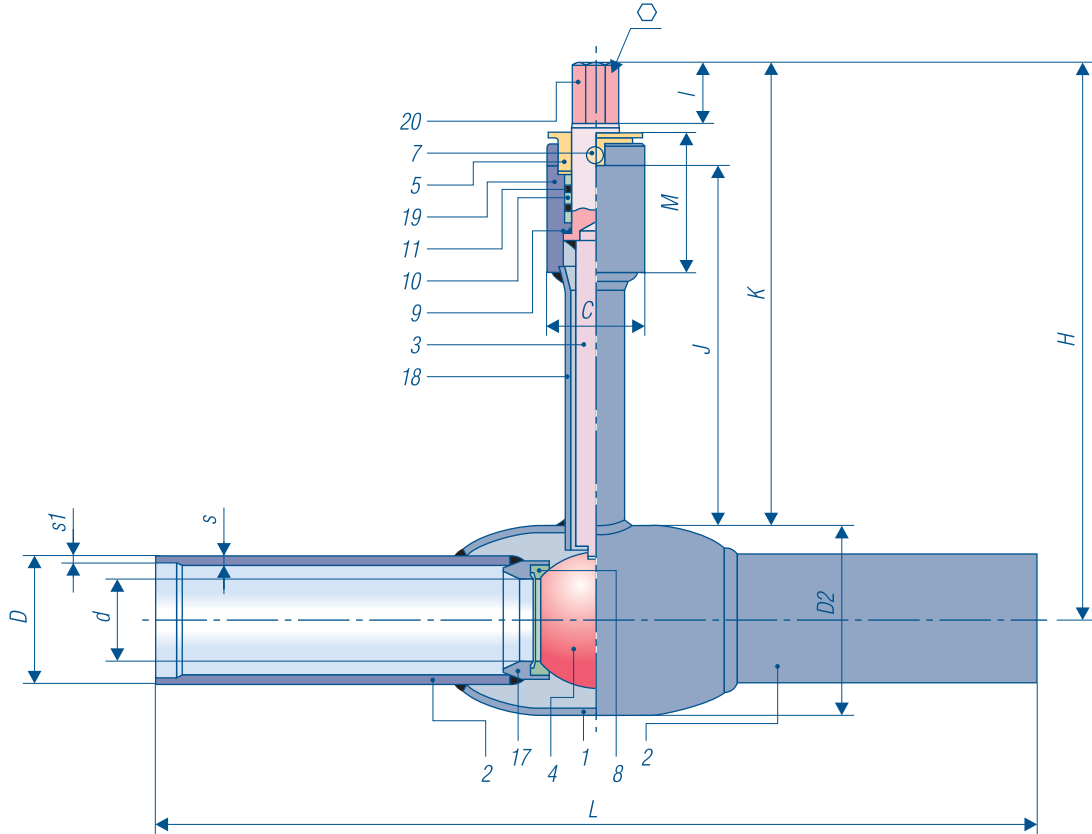
KHSU-OE
25 – 100

PN 25

Material code number VIII

PN 40

Material code number VIII



Monoball ball valve PN 25 or PN 40

One-piece, with reduced port, maintenance-free spindle sealing with O-rings, pressure possible from both sides, ball sealing PTFE+C with two sealing lips, ball and spindle made of stainless steel, body made of steel
Make: KLINGER

Type: KHSU-OE for DN 25 – 100

No.	Part names	Material
1	Body	1.0254
2	Connecting pipe	1.0254
3	Spindle	1.4305
4	Ball	1.4301
5	Retaining bush	1.4301
6	Spring washer	HRC 44–51
7	Bolt	1.4301
8	Ball sealing	PTFE+C

No.	Part names	Material
9	Bearing ring	PTFE+C
10	Spindle bush	PTFE
11	O-ring	FPM
12	O-ring	EPDM
17	Sealing seat	1.0254
18	Extension	1.0254
19	Spindle bush	1.4301
20	Driving piece	1.4305

Ordering example:

KHSU-OE 50-VIII, PN 40

KHSU-OE 100-VIII, PN 25

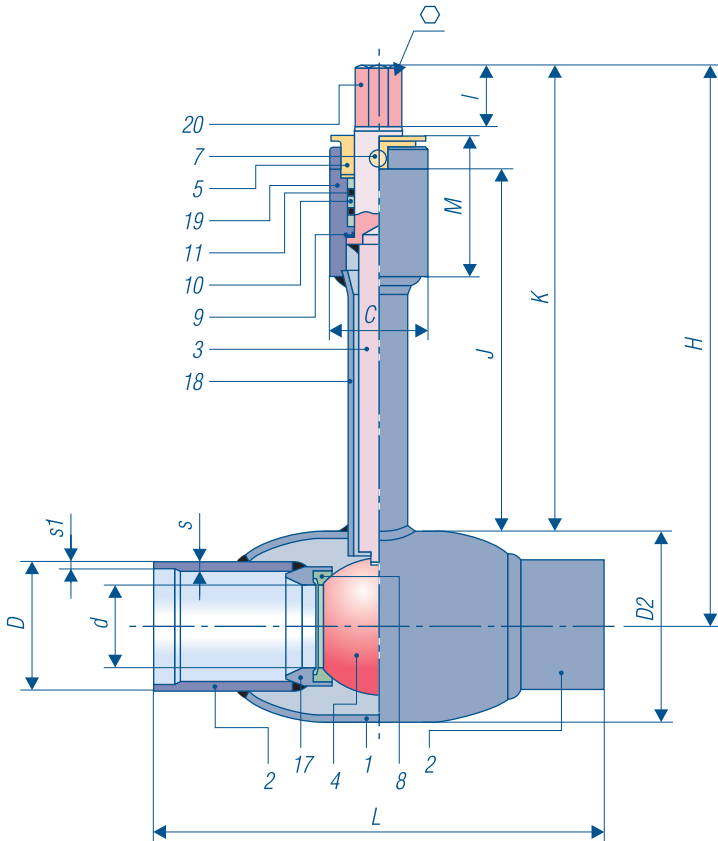
Overall dimensions in mm

DN	PN	Kv ₁₀₀	d	D	s	s1	D2	L	C	M	J	K	H	I	⬡	Weight kg
25	40	25	20	33,7	3,2	3,2	48,3	1000	43	65	302	350	374	28	19	4,0
32	40	41	25	42,4	3,6	3,2	60,3	1000	43	65	299	350	376	28	19	5,4
40	40	65	31	48,3	3,6	3,2	76,1	1000	43	65	304	350	390	28	19	6,1
50	40	100	39	60,3	4,0	3,2	88,9	1000	43	65	306	350	396	28	19	7,9
65	25	180	50	76,1	4,5	3,2	101,6	1000	43	62	303	350	402	28	19	12,0
80	25	270	65	88,9	5,6	3,2	127,0	1000	43	62	302	350	413	28	19	13,8
100	25	420	80	114,3	6,3	3,6	159,0	1000	55	82	295	350	431	35	27	25,5

Pressure-temperature diagram see page 4

KLINGER Monoball KHSU-OE short

One piece ball valve with extended spindle, reduced port
weld end on both sides acc. to EN 12627, PN 25, PN 40
Material : steel, temperature range : - 20 °C to 200 °C



KHSU-OE short 25 – 150

PN 25

Material code number VIII

PN 40

Material code number VIII

Monoball ball valve PN 25 or PN 40

One piece, with reduced port, maintenance-free spindle sealing with O-ring, pressure possible from both sides, ball sealing PTFE+C with two sealing lips, ball and spindle made of stainless steel, body made of steel

Material: KLINGER

Type: KHSU-OE for DN 25–150

Ordering example:
KHSU-OE short 50-VIII, PN 40
KHSU-OE short 100-VIII, PN 25

No.	Part names	Material
1	Body	1.0254
2	Connecting pipe	1.0254
3	Spindle	1.4305
4	Ball	1.4301
5	Retaining bush	1.4301
6	Spring washer	HRC 44–51
7	Bolt	1.4301
8	Ball sealing	PTFE+C
9	Bearing ring	PTFE+C
10	Spindle bush	PTFE
11	O-ring	FPM
12	O-ring	EPDM
17	Sealing seat	1.0254
18	Extension	1.0254
19	Spindle bush	1.4301
20	Driving piece	1.4305

Overall dimensions in mm

DN	PN	Kv ₁₀₀	d	D	s	s1	D2	L	C	M	J	K	H	I	⬡	Weight kg
25	40	25	20	33,7	3,2	3,2	48,3	230	43	65	302	350	374	28	19	2,0
32	40	41	25	42,4	3,6	3,2	60,3	260	43	65	299	350	376	28	19	2,8
40	40	65	31	48,3	3,6	3,2	76,1	260	43	65	304	350	390	28	19	3,1
50	40	100	39	60,3	4,0	3,2	88,9	300	43	65	306	350	396	28	19	3,4
65	25	180	50	76,1	4,5	3,2	101,6	300	43	62	303	350	402	28	19	6,5
80	25	270	65	88,9	5,6	3,2	127,0	300	43	62	302	350	413	28	19	8,0
100	25	420	80	114,3	6,3	3,6	159,0	325	55	82	295	350	431	35	27	12,2
125	25	650	100	139,7	6,3	3,6	193,7	325	55	82	293	350	445	35	27	17,0
150	25	950	125	168,3	7,1	4,0	244,5	350	55	80	291	350	472	35	27	31,0

Pressure-temperature diagram see page 4



KLINGER Monoball KHSU-OE short

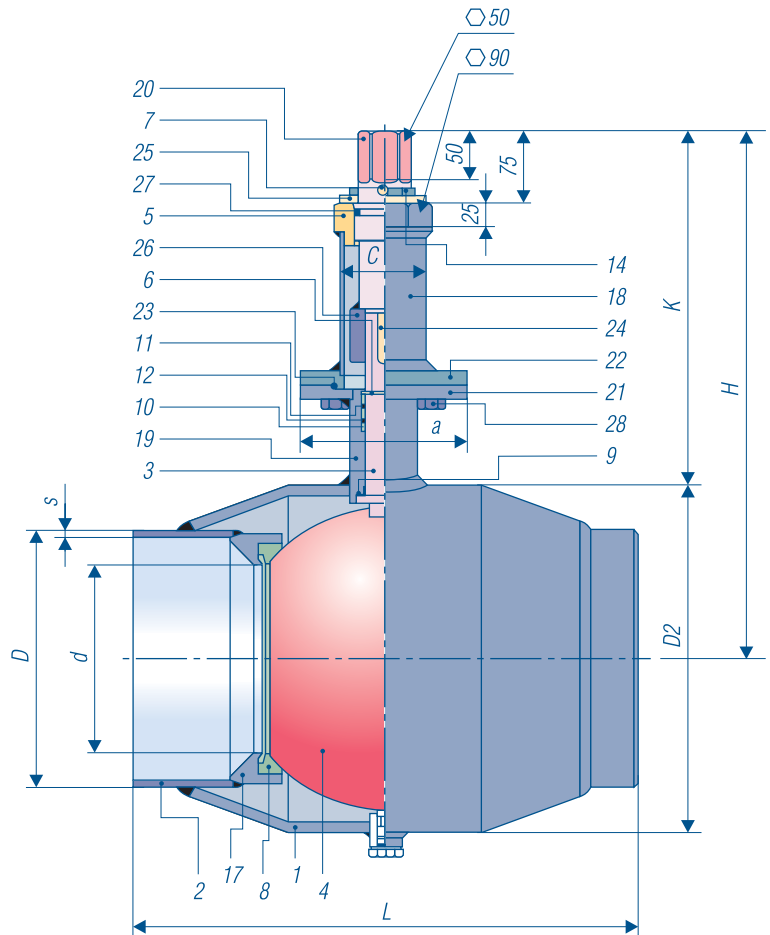
One-piece ball valve with extended spindle, reduced port weld end on both sides acc. to EN 12627, PN 25
Material: steel, temperature range: - 20 °C to 200 °C

KHSU-OE short 200 – 300

PN 25

Material code number VIII

No.	Part names	Material
1	Body	1.0254
2	Connecting pipe	1.0254
3	Spindle	1.4305
4	Ball	1.4301
5	Retaining bush	1.4301
6	Spring washer	HRC 44-51
7	Bolt	1.4301
8	Ball sealing	PTFE+C
9	Bearing ring	PTFE+C
10	Spindle bush	PTFE
11	O-ring	FPM
12	O-ring	EPDM
17	Sealing seat	1.0254
18	Extension	1.0254
19	Spindle bush	1.4301
20	Gear piece	1.4305
21	Flange	1.0254
22	Flange	1.0254
23	O-ring	FPM
24	Feather key	1.0052.07
25	Chees headed screw	A4
26	Coupling	1.4301
27	O-ring	FPM
28	Hexagon screw	8 Zn



Monoball ball valve PN 25

One-piece ball valve, with reduced port, maintenance-free spindle sealing with O-rings, pressure possible from both sides, ball sealing PTFE+C with two sealing lips, ball and spindle made of stainless steel, body made of steel

Make: KLINGER

Type: KHSU-OE short for DN 200-300

Ordering example:

KHSU-OE short 200-VIII, PN 25

Overall dimensions in mm

DN	PN	Kv ₁₀₀	d	D	s	D2	L	C	K	H	a	Weight kg
200	25	1700	150	219,1	6,3	273	400	76,1	395	532	150	48
250	25	2600	200	273,0	6,3	368	530	88,9	373	557	175	89
300	25	4500	250	323,9	7,1	445	550	88,9	510	733	210	148

Pressure-temperature diagram see page 4

Ball valve KLINGER Monoball

Operating variations

Operating variations

KLINGER Monoball is available with hand lever or mounting flange for mechanical gear.

From size DN 200 on the Monoball is offered inclusive gear.

The valves are available with operating-stem extension (350 mm) or suitable for underground installation (acc. to AGFW-guide lines).

The constructional design with extended shaft for underground installation allows easy and economical pre-insulation. If it is necessary to increase the layer of soil that covers the valve, an extension can be obtained, mounted to the existing, pre-insulated valve and adapted to the thickness of the soil layer.

Torques for KLINGER Monoball

DN in mm	Nm
15	5
20	5
25	10
32	15
40	35
50	60
65	80
80	130
100	180
125	250
150	360
200	600
250	1300



Klinger Monoball KHSU-OE fully insulated with operating-stem extension, overall dimension 1000 mm



KLINGER KHS-OE with operating-stem extension ready for shipment



KLINGER Monoball KHS-OE



KLINGER KHS-OE with mounted operating-stem extension



Ball valve KLINGER Monoball Quality assurance



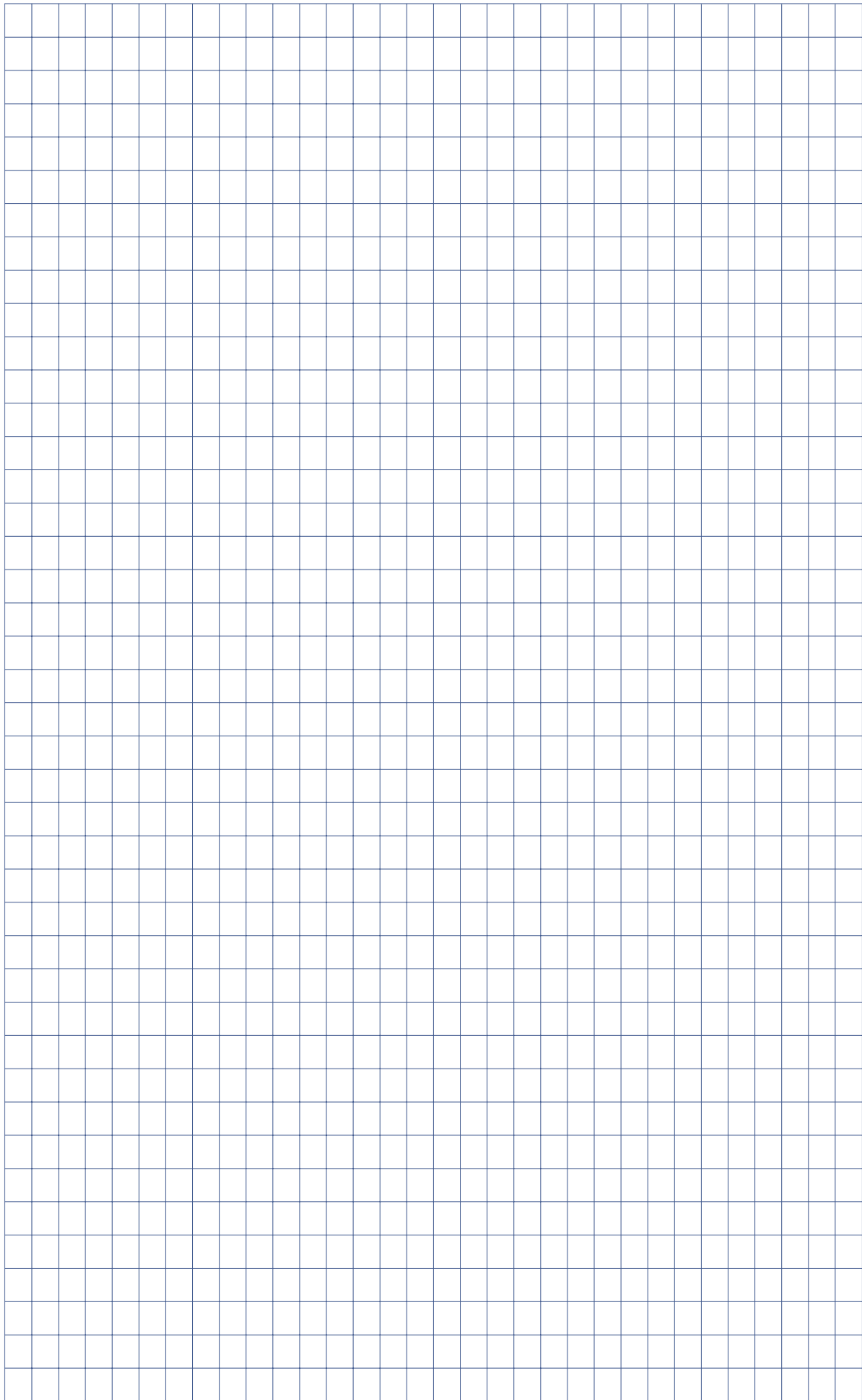
Quality assurance

Testing stand for proof of suitability of valves acc. to EN 488 (underground district heating pipelines)



Certificates

Type test acc. to EN 488 proof of suitability for valves installed in underground district heating-pipelines. Authorized to mark acc. to European pressure-vessel guide lines 97/23/EG (CE-marking)





KLINGER Product range

Product range

Ballostar® KHA

3-piece ball valve made of grey cast iron, steel and stainless cast steel

Ballostar® KHI

2-piece ball valve made of grey cast iron, steel and stainless cast steel

Ballostar® KHC

2-piece ball valve made of grey steel and stainless cast steel

KLINGER Monoball®

One-piece ball valve made of steel and stainless cast steel

KLINGER Ball-o-top

Brass ball valves

Piston valves KVN

made of grey cast iron, nodular cast iron, steel and stainless cast steel

KLINGERMATIC®

Actuator for piston valves and ball valves

Liquid level gauges

for steam boiler and process application

Reflex and transparent glasses

Circular sight-glasses

AB cocks

Packing-sleeve cocks and pressure-gauge cocks in brass, steel and stainless steel

Key role

Link

Innovation

Navigation

Growth

Efficiency

Routine